

MEGA FORTRIS
G R O U P

INDICATIVE SEAL

MINI FAST SEAL (MFS)

Pull-Tight Seal

Small and sophisticated design for comprehensive security and authentication.

Mini Fast Seal is easy to use, compact and perfect for small-sized sealing requirements. It is designed with a slim structure to suit its application mainly in smaller locking latches. This delicately designed seal is suitable for security and authentication purposes with space-saving in mind.

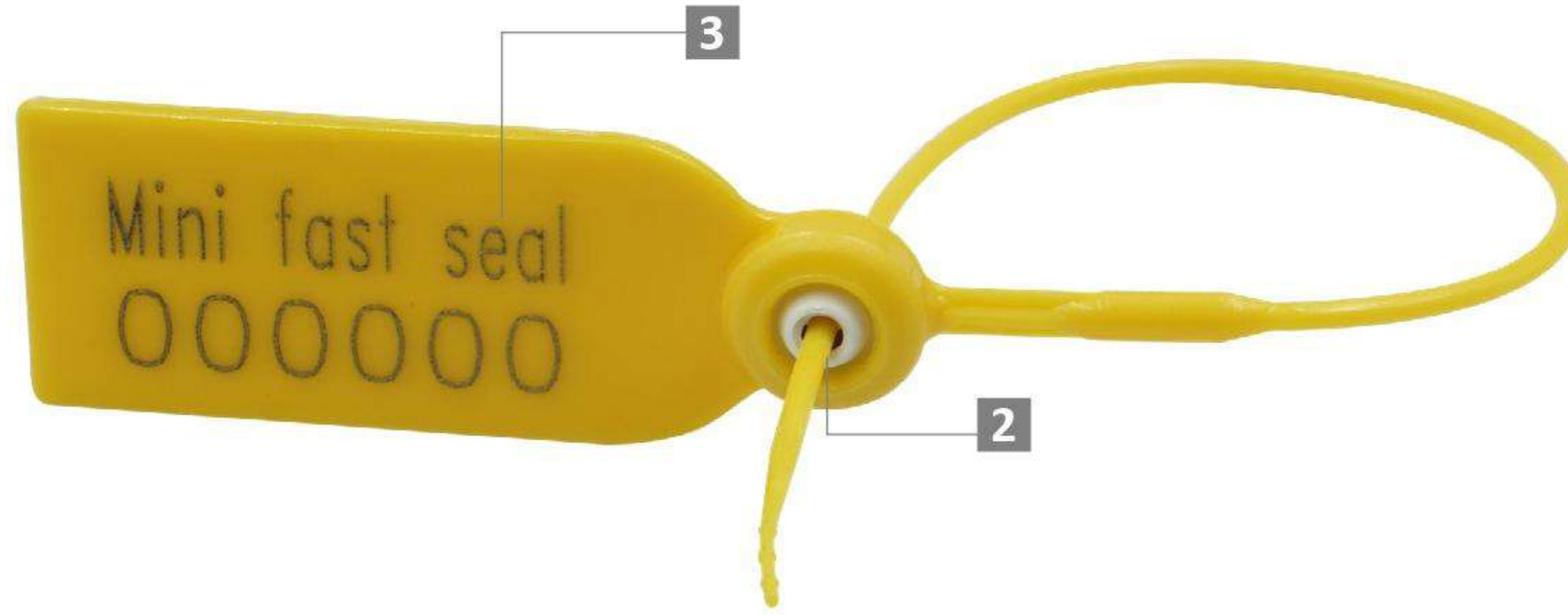
Applications:

- Retail Applications
- Fire Extinguishers
- Logistics
- Banking

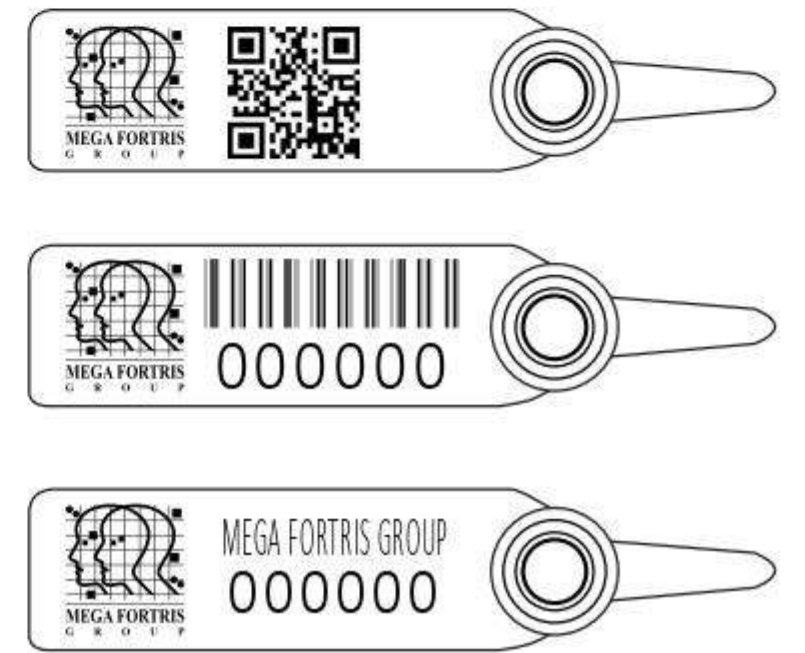


PREVENTION · PROTECTION · PEACE OF MIND

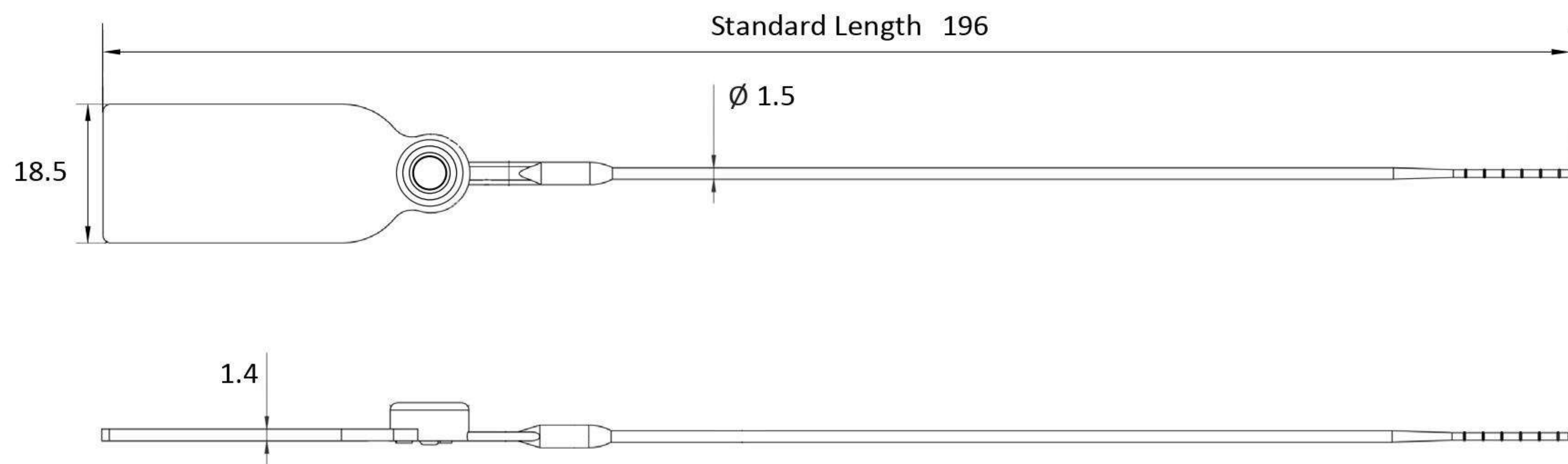




LASER MARKING OPTION



- 1 The Mini Fast Seal is moulded with PP or high-impact NY material with encapsulated metal lock for greater security and clear tamper-evidence.
- 2 One-way locking mechanism is embedded for fast and easy application.
- 3 Irreversible identifiers such as name, logo, barcode, serial number and QR code are laser-marked on the flap.
- 4 Biodegradable additives and Cold Weather Polypropylene material for the seal are available.



TECHNICAL SPECIFICATIONS

PRODUCT - MINI FAST SEAL (MFS)

Code	Material	Locking Length	Locking Size	Tensile Strength	Marking Area	Max Marking Digits
MFS	Plastic : Polypropylene (PP) <i>Operational Temperature Range:</i> -5°C to 80°C High-impact Nylon (NY) <i>Operational Temperature Range:</i> -25°C to 80°C Metal Jaw : Stainless Steel (SUS 304)	129 mm (5 in)	Ø 1.5 mm (0.1 in)	PP: ≥8 kgf (≥17.6 lbf) NY: ≥9 kgf (≥19.8 lbf)	14 x 32 mm (0.6 x 1.3 in)	Serial no : 10 Barcode : 10

PACKAGING

Carton	Quantity	Dimensions (mm)	Gross Weight (kg)	Volume (m ³)	Standard Pastel / Solid Colours
Inner	1000	255 x 205 x 145 (10.0 x 8.1 x 5.7 in)	1.4 (3.1 lb)	0.008 (0.3 cu.ft.)	Polypropylene : Body : WH PSYL PSOR PSRD PSBL PSGN Cap : TRNS WH MILKY (BIO)

Nylon :
 Body : WH B YL G RD
 Cap : TRNS WH MILKY (BIO)

For colour customisations, kindly contact us for further information.

Updated Date : 20 January 2021