



MEGA FORTRIS
G R O U P

HIGH SECURITY SEAL

FORT CONTAINER SEAL (FCS)

Container Bolt Seal

Two colour and wavy surface for defined visibility and extra security.

Fort Container Seal is a Mega Fortris patented two colour container bolt seal. It provides defined visibility of laser markings, hence enables instant identification. This seal complies to ISO 17712 and CTPAT with clear tamper-evidence from its innovatively designed anti-spinning pin and barrel. Additional wavy surface on the pin of the laser marking area prevents tampering.

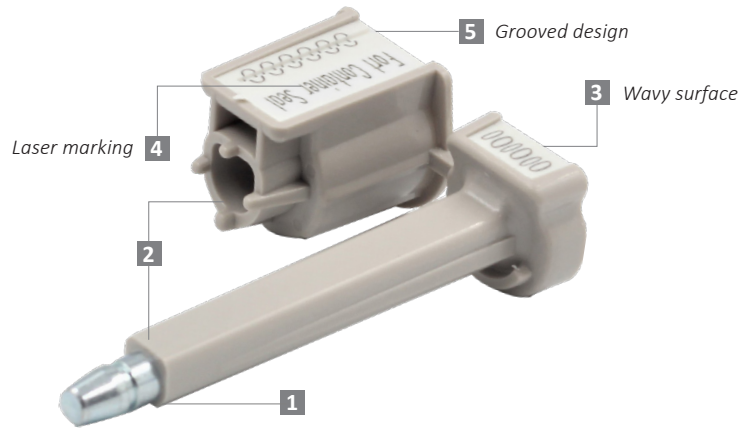
Applications:

- Containers
- Trucks
- Trailers
- Rail Cars

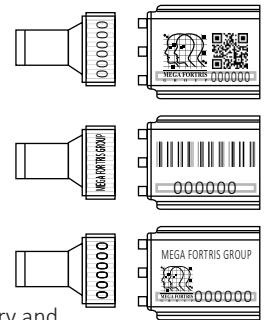


PREVENTION · PROTECTION · PEACE OF MIND

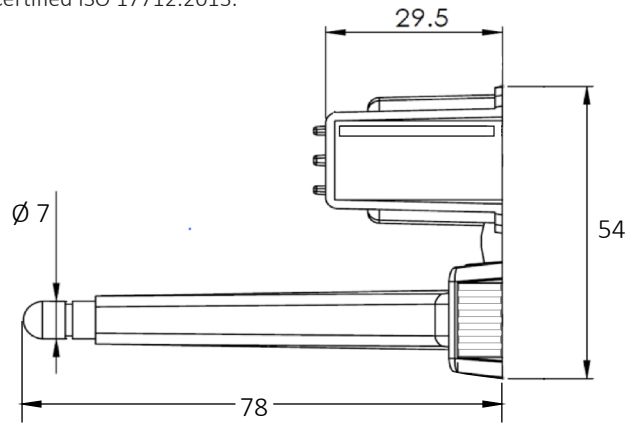




LASER MARKING OPTION



- 1 The Fort Container Seal comes with an anti-spinning design that the locking mechanism allows only one-way entry and hinders friction from external force.
- 2 The pin and bush are moulded in high-impact PP material to form into a durable pin and plastic barrel while withstanding extreme weather conditions of -20°C to 80°C. Pin and barrel are paired engraved for easier handling.
- 3 Two colours on the pin and barrel improve laser markings definition, visibility, and identification. Additional wavy surface on pin gives clear tamper evidence of identifiers removal.
- 4 Irreversible identifiers such as name, logo, barcode, serial number and QR code are laser-marked on the pin and barrel to prevent parts substitution or replacement.
- 5 Grooved design on the plastic barrel prevents tampering on the identifier.
- 6 An optional transparent cover on the barrel further secures the identifier and provides high visibility.
- 7 Biodegradable additives for plastic material are available.
- 8 The seal is designed, tested and certified ISO 17712:2013.



TECHNICAL SPECIFICATIONS

PRODUCT - FORT CONTAINER SEAL (FCS)

Code	Material	Locking Length	Cable Diameter	Tensile Strength	Marking Area	Max Marking Digits
FCS	Plastic : High-impact Polypropylene (PP) Pin & Bush : Hardened Steel	50 mm (2.0 in)	Ø 7 mm (0.3 in)	≥1000 kgf (≥2204.6 lbf)	Pin: TBC Barrel : 13 x 23 mm (0.5 x 0.9 in)	Serial no : 10 Barcode : 8

PACKAGING

Carton	Quantity	Dimensions (mm)	Gross Weight (kg)	Volume (m³)	Standard Pastel Colours
Outer	25 sets x 10 pcs	485 x 335 x 162 (19.1 x 13.2 x 6.4 in)	13.1 (28.9 lb)	0.026 (0.9 cu.ft.)	Body : <input type="checkbox"/> WH <input type="checkbox"/> GR <input type="checkbox"/> PSYL <input type="checkbox"/> PSOR <input type="checkbox"/> PSRD <input type="checkbox"/> PSBL <input type="checkbox"/> PSGN Marking flap : <input type="checkbox"/> WH

For colour customisations, kindly contact us for further information.

Updated Date : 03 December 2020