



MEGA FORTRIS
G R O U P

INDICATIVE SEAL

TRIPLE TIGHT SP (TTSP) & TRIPLE TIGHT SP METAL (TTSPM)

Pull-Tight Seal

Flat-lay locking body design for extra security.

Triple Tight SP seal is a one-of-a-kind seal for its flat-lay locking body after sealing. The body and identifier are prevented from damage during rough handling as it settles close to the application surface. With the signature one-way locking mechanism, it is user-friendly to seal and remove.

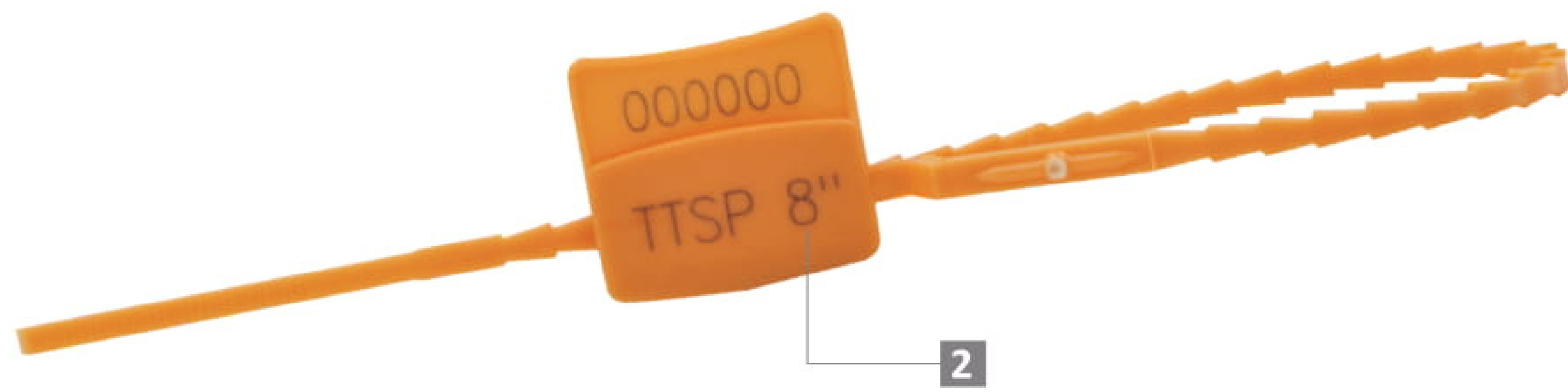
Applications:

- Retail Applications
- Postal Services
- Logistics
- Banking

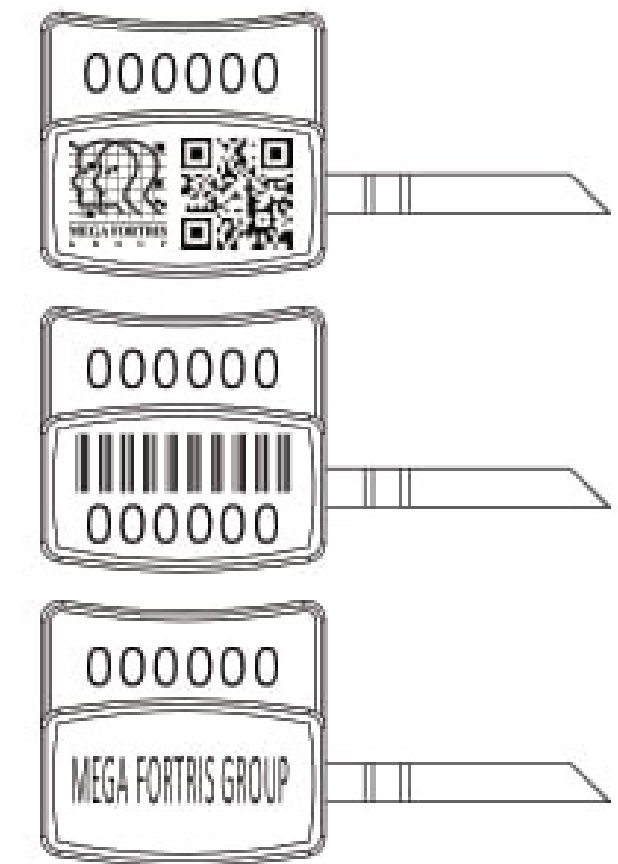


PREVENTION · PROTECTION · PEACE OF MIND

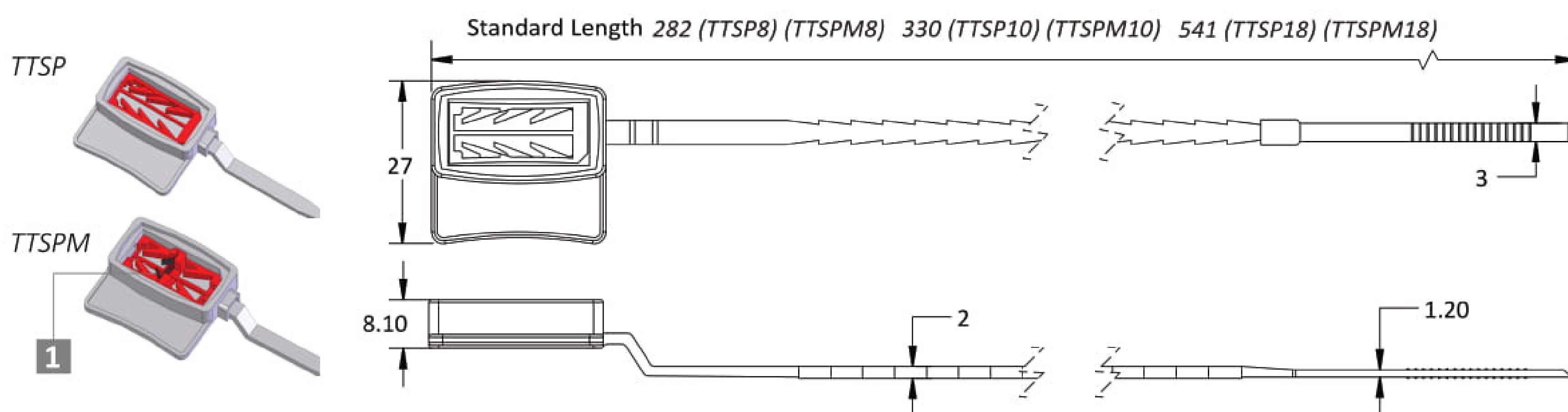




LASER MARKING OPTION



- 1 The Triple Tight SP seal is moulded with high-impact PP or NY material with an optional metal lock encapsulated for one-way locking mechanism and clear tamper-evidence while withstanding extreme weather conditions of -20°C to 80°C.
- 2 Irreversible identifiers such as name, logo, barcode, serial number and QR code are laser-marked on the flap.
- 3 Biodegradable additives for plastic material are available.
- 4 Different strap lengths are available to cater to different applications.



TECHNICAL SPECIFICATIONS

PRODUCT - TRIPLE TIGHT SP (TTSP) & TRIPLE TIGHT SP METAL (TTSPM)

Code	Material	Locking Length	Locking Size	Tensile Strength	Marking Area	Max Marking Digits
TTSP8	Plastic : High-impact Polypropylene (PP)	200 mm (8 in)	4.0 mm (0.2 in)	>20 kgf (>44.1 lbf)	6 x 25 mm (0.2 x 1.0 in)	Serial no : 8 Barcode : 8
TTSP10		248 mm (10 in)				
TTSP18		460 mm (18 in)				
TTSPM8	Plastic : High-impact Polypropylene (PP) or Nylon (NY) Metal Jaw : Stainless Steel (SUS 304)	200 mm (8 in)	4.0 mm (0.2 in)	>20 kgf (>44.1 lbf)	6 x 25 mm (0.2 x 1.0 in)	Serial no : 8 Barcode : 8
TTSPM10		248 mm (10 in)				
TTSPM18		460 mm (18 in)				

PACKAGING

Carton	Quantity	Dimensions (mm)	Gross Weight (kg)	Volume (m ³)	Standard Pastel Colours
TTSP / TTSPM8 Inner	1000	480 x 290 x 150 (18.9 x 11.4 x 5.9 in)	4.16-5.61 (9.17-12.4 lb)	0.021 (0.7 cu.ft.)	Body : WH PSYL PSOR PSRD PSBL PSGN
TTSP / TTSPM10 Inner			4-4.6 (8.8-10.1 lb)		Cap : WH TRNS
TTSP / TTSPM 18 Inner		615 x 280 x 280 (24.2 x 11.0 x 11.0 in)	TBC	0.048 (1.7 cu.ft.)	For colour customisations, kindly contact us for further information.

Updated Date : 27 November 2020