



**MEGA FORTRIS**  
G R O U P

## **INDICATIVE SEAL**

# **MEGA HASP PADLOCK (MEHAP)**

Application Seal

***Visible and vibrant locking insert for versatility and product security.***

Mega Hasp Padlock features a stainless steel insert for effective locking in different applications. The seal is slim and space saving, hence ideal for sealing on roughly handled applications. It has a clear body and vibrant colour insert which allow quick inspection of locking and colour coding to ease operation.

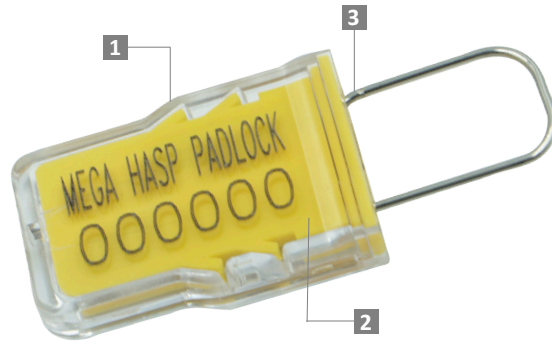
#### **Applications:**

- Authentication Tagging
- Aircraft Carts
- Retail Applications
- F&B Applications

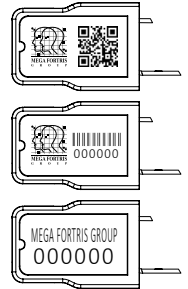


**PREVENTION · PROTECTION · PEACE OF MIND**

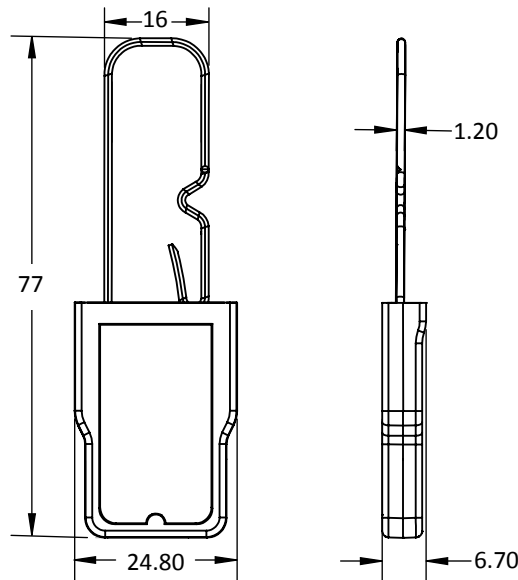




LASER MARKING OPTION



- 1 The Mega Hasp Padlock is moulded with high-impact clear PC plastic material and stainless steel spring insert to ensure light and durable quality for different applications and clear tamper-evidence.
- 2 A wide range of vibrant pastel colour inserts complement the clear padlock body for inspection and colour coding to ease the operation.
- 3 One-way snap-on locking mechanism is embedded for fast and easy application, as well as quick tamper-evident removal at the noticeable breaking point.
- 4 Irreversible identifiers such as name, logo, barcode, serial number and QR code are laser-marked on the body.
- 5 Biodegradable additives for plastic material are available.



TECHNICAL SPECIFICATIONS

PRODUCT - MEGA HASP PADLOCK (MEHAP)

Code	Material	Locking Length	Locking Size	Tensile Strength	Marking Area	Max Marking Digits
MEHAP	<b>Plastic :</b> High-impact Polycarbonate (PC) <b>Spring :</b> Stainless Steel (SUS304)	TBC	TBC	>30 kgf (>66.1 lbf)	16 x 24 mm (0.6 x 0.9 in)	<b>Serial no :</b> 9 <b>Barcode :</b> 9

PACKAGING

Carton	Quantity	Dimensions (mm)	Gross Weight (kg)	Volume (m <sup>3</sup> )	Standard Pastel Colours
Inner	1000	465 x 260 x 190 (18.3 x 10.2 x 7.5 in)	6.2 (13.7 lb)	0.023 (0.812 cu.ft)	Body : <span style="border: 1px solid black; padding: 2px;">TRNS</span> Insert : <span style="border: 1px solid black; padding: 2px;">WH</span> <span style="border: 1px solid black; padding: 2px;">PSYL</span> <span style="border: 1px solid black; padding: 2px;">PSOR</span> <span style="border: 1px solid black; padding: 2px;">PSRD</span> <span style="border: 1px solid black; padding: 2px;">PSBL</span> <span style="border: 1px solid black; padding: 2px;">PSGN</span>

For colour customisations, kindly contact us for further information.

Updated Date : 06 February 2021