



MEGA FORTRIS
G R O U P

INDICATIVE SEAL

MEGA PADLOCK (MEPAD)

Application Seal

Rounded locking mechanism and ample marking area for ease of operation.

Mega Padlock is designed with a rounded locking head that is user-friendly to seal all kinds of locking latches, especially on roughly handled applications for its slim body. The seal features a comparably large marking area on the coloured body for detailed identifiers, easy reading, and colour coding.

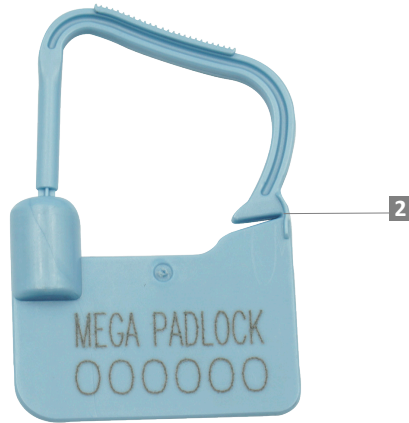
Applications:

- Authentication Tagging
- Aircraft Carts
- Retail Applications
- F&B Applications

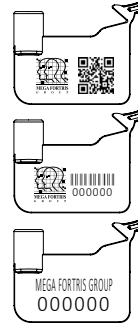


PREVENTION · PROTECTION · PEACE OF MIND

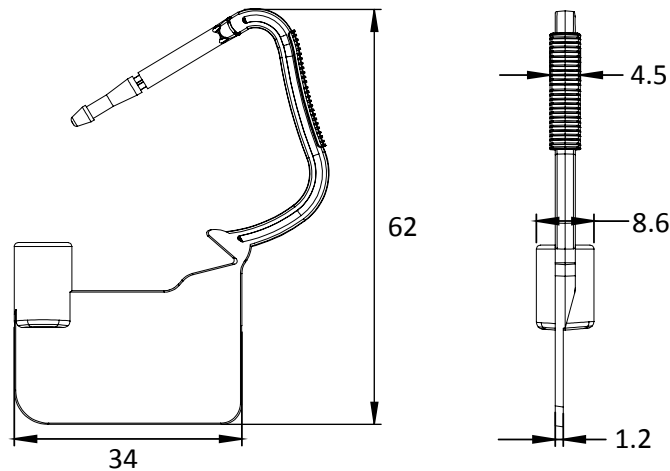




LASER MARKING OPTION



- 1 The Mega Padlock is moulded with high-impact PP plastic material to ensure light and durable quality for different applications and clear tamper-evidence.
- 2 One-way snap-on locking mechanism is embedded for fast and easy application, as well as quick tamper-evident removal at the noticeable breaking point.
- 3 Irreversible identifiers such as name, logo, barcode, serial number and QR code are laser-marked on the body.
- 4 Biodegradable additives for plastic material are available.



TECHNICAL SPECIFICATIONS

PRODUCT - MEGA PADLOCK (MEPAD)

| Code | Material | Locking Length | Locking Size | Tensile Strength | Marking Area | Max Marking Digits |
|-------|--|----------------|--------------|---------------------|------------------------------|-------------------------------|
| MEPAD | Plastic : High-impact PP Copolymers | TBC | TBC | >6 kgf (>13 lbf) | 34 x 20 mm (1.3 x 0.8 in) | Serial no : 10 Barcode : 9 |

PACKAGING

| Carton | Quantity | Dimensions (mm) | Gross Weight (kg) | Volume (m ³) | Standard Pastel Colours |
|--------|----------|---|-------------------|--------------------------|--|
| Inner | 1000 | 465 x 260 x 190 (18.3 x 10.2 x 7.5 in) | 2.39 (5.3 lb) | 0.023 (0.812 cu.ft) | Body : WH PSYL PSOR PSRD PSBL PSGN |

For colour customisations, kindly contact us for further information.

Updated Date : 06 February 2021